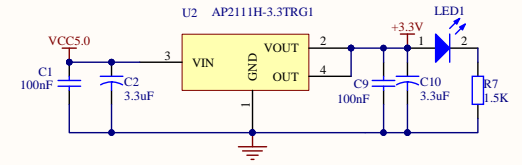
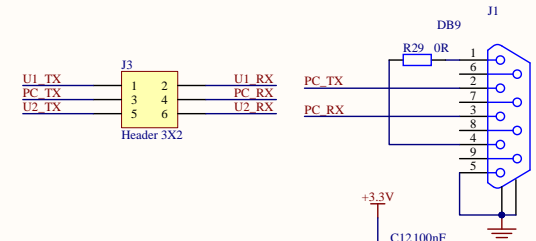


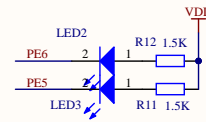
BOOT



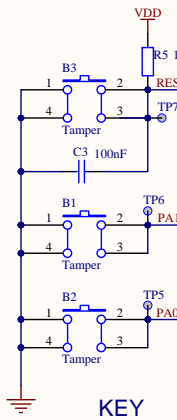
POWER



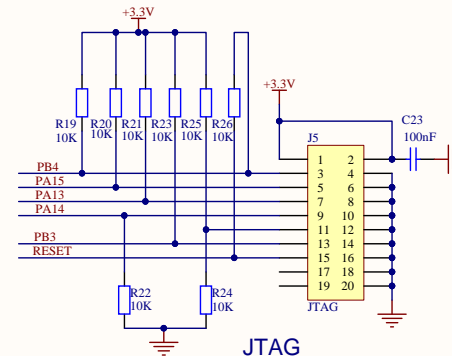
USART



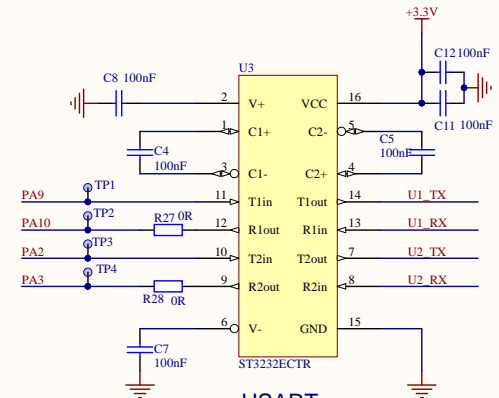
LED



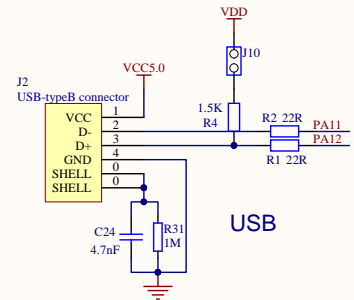
KEY



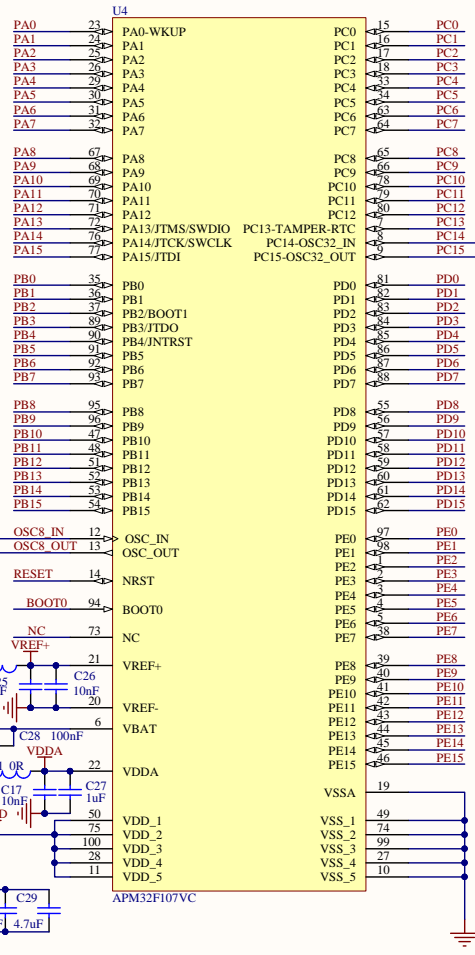
JTAG



USART



USB



APM32F107VC

Company: Geehy Semiconductor Co.,Ltd.		
Title: APM32F107VC MINIBOARD		
Revision: 1.0	Date: 20220608	Sheet 1 of 1